

1.9L Thermal Carafe

Height: 8.0" Width: 6.4" Depth: 8.2"
(20.3cm) (16.3cm) (20.8cm)

•

Feature points are currently unavailable.



Agency:

Specifications

Product #: 18022.6002

Finish: Stainless/Black

Liner: Stainless Steel

Lid Color: Black

Additional Features

Holding Capacity

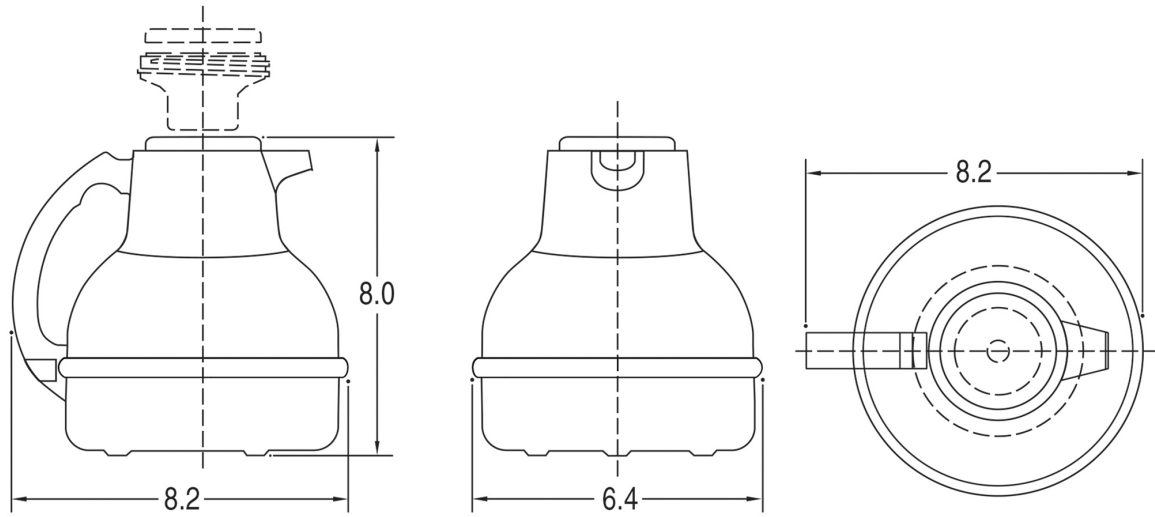
English	Metric
-	-

 **WARNING:**

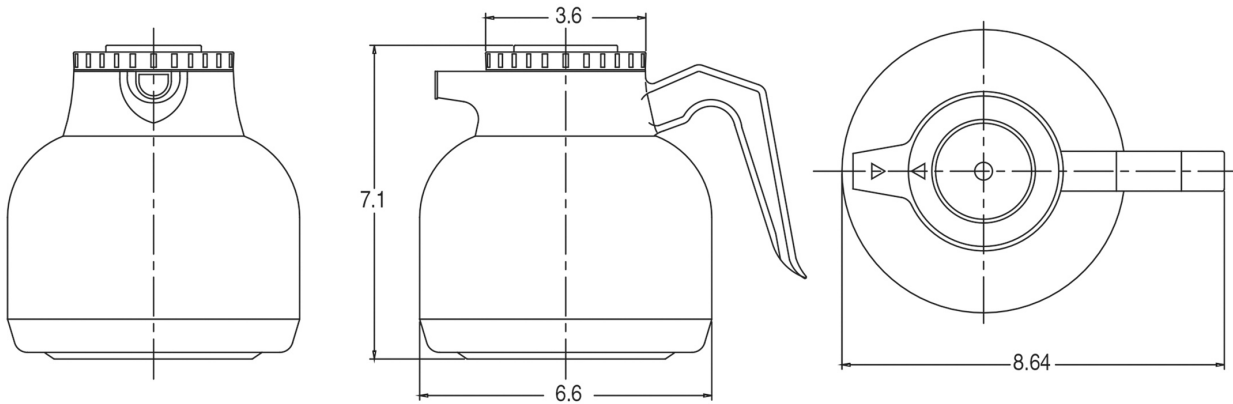


BUNN® reserves the right to change specifications and product design without notice. Such revisions do not entitle the buyer to corresponding changes, improvements, additions or replacements for previously purchased equipment. For most current specifications and other info visit bunn.com.

Last Updated:
01/26/2022



1.9 litre Deluxe Thermal Carafe



1.9 litre Economy Thermal Carafe

	Unit			Shipping				
	Height	Width	Depth	Height	Width	Depth	Weight	Volume
English	8.0 in.	6.4 in.	8.2 in.	-	-	-	-	-
Metric	20.3 cm	16.3 cm	20.8 cm	-	-	-	-	-



BUNN® reserves the right to change specifications and product design without notice. Such revisions do not entitle the buyer to corresponding changes, improvements, additions or replacements for previously purchased equipment. For most current specifications and other info visit bunn.com.

Last Updated:
01/26/2022

Related Products & Accessories: 1.9L Thermal Carafe(18022.6002)

Related Products selections are currently unavailable. Please contact your sales representative to find out more information.



BUNN® reserves the right to change specifications and product design without notice. Such revisions do not entitle the buyer to corresponding changes, improvements, additions or replacements for previously purchased equipment. For most current specifications and other info visit bunn.com.

Last Updated:
01/26/2022

Model Compatibility: 1.9L Thermal Carafe(18022.6002)

Serving and Holding selections are currently unavailable. Please contact your sales representative to find out more information.



BUNN® reserves the right to change specifications and product design without notice. Such revisions do not entitle the buyer to corresponding changes, improvements, additions or replacements for previously purchased equipment. For most current specifications and other info visit bunn.com.

Last Updated:
01/26/2022